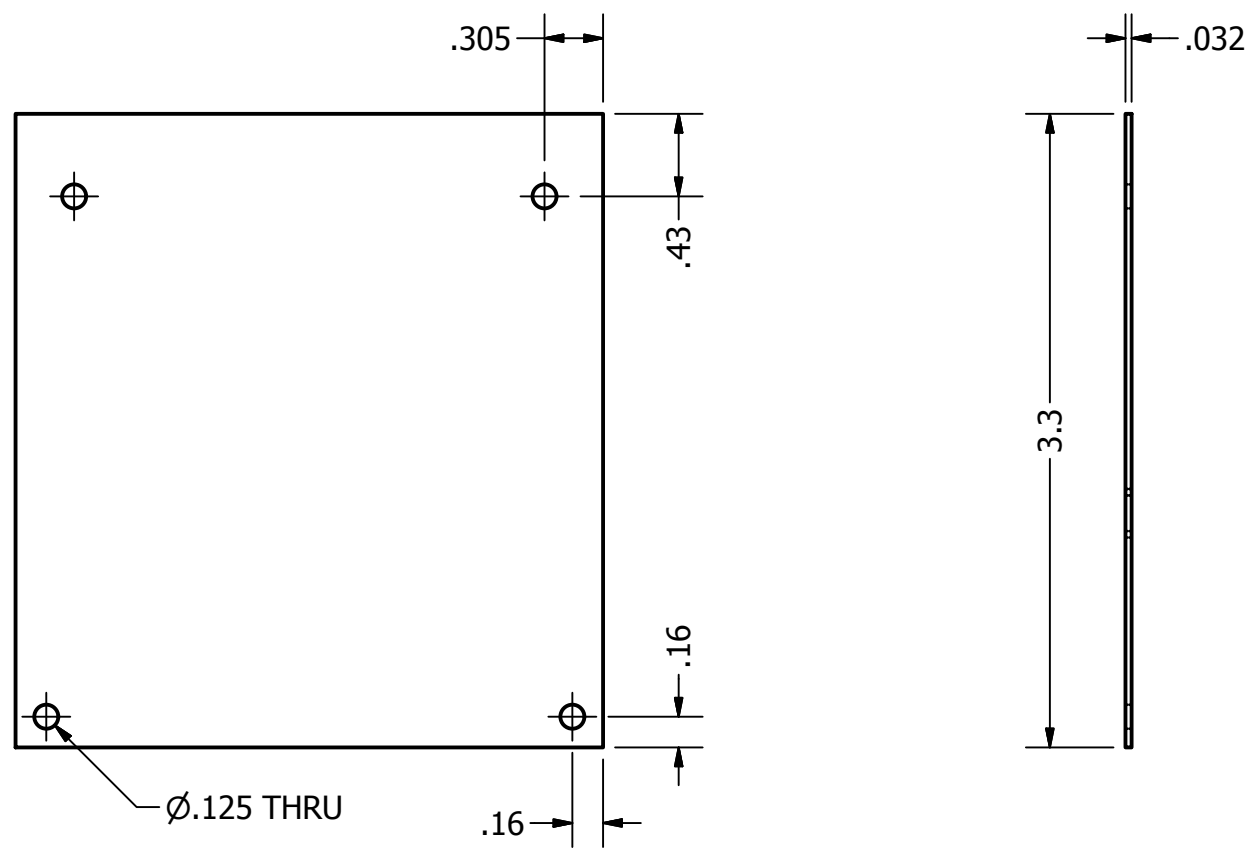
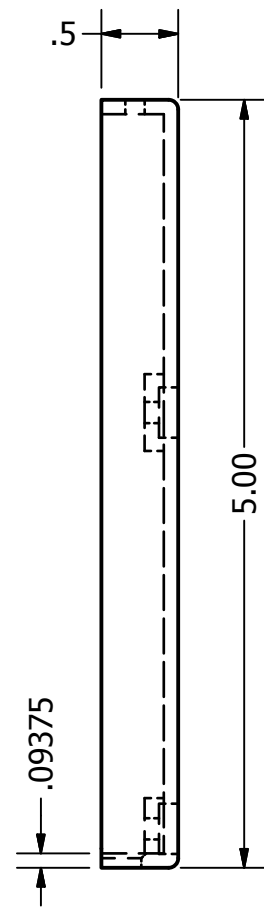
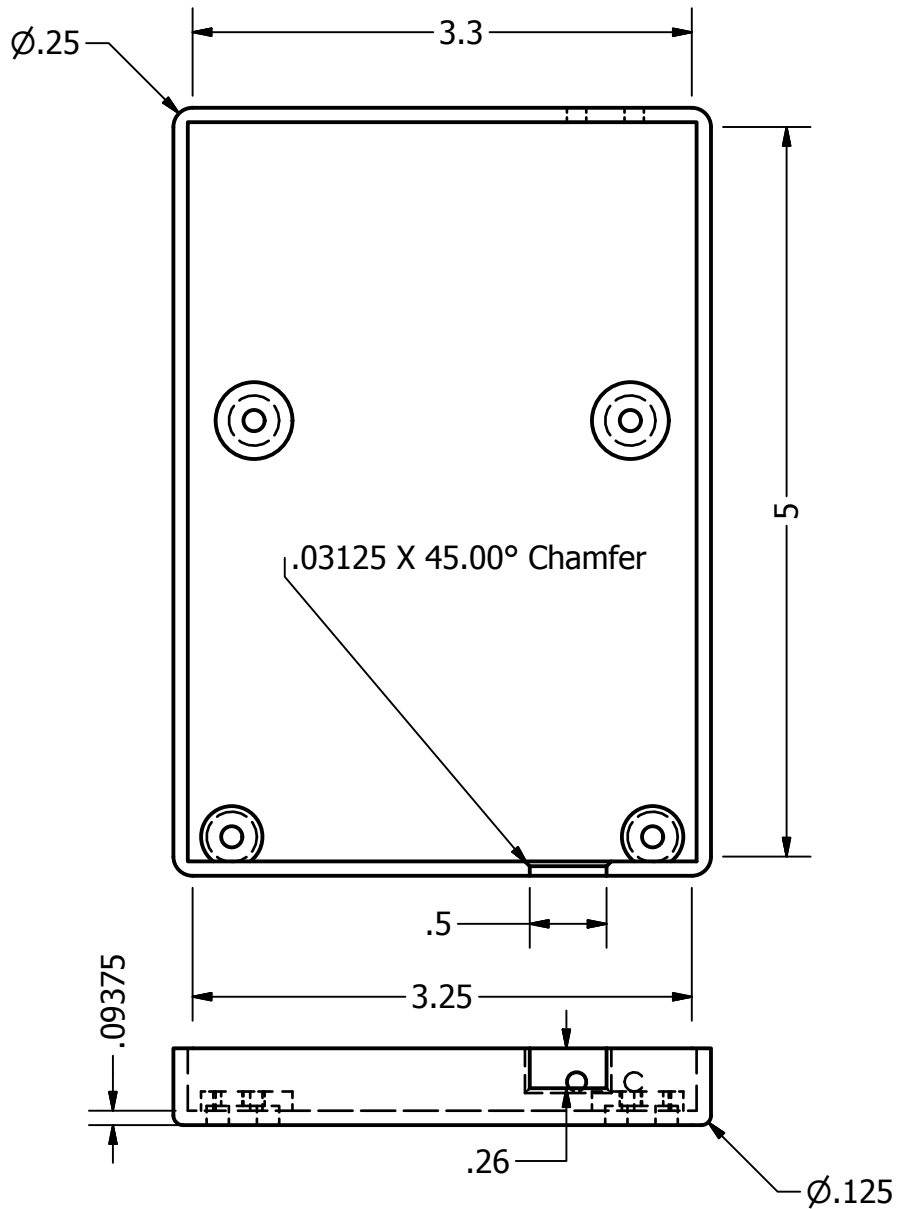


TITLE	GAME BOY USB CARTRIDGE READER	HARTFORD UNION HIGH SCHOOL	SCALE	1:1	HOUR	5	POINTS EARNED
AUTHOR	Davis Rimmel	INTRODUCTION TO ENGINEERING DESIGN	DATE:	6/5/2009	SHEET	1 OF 6	



TITLE	CIRCUIT BOARD	HARTFORD UNION HIGH SCHOOL	SCALE 1:1	HOUR 5	POINTS EARNED
AUTHOR	Davis Rimmel	INTRODUCTION TO ENGINEERING DESIGN	DATE: 6/5/2009	SHEET 2 OF 6	



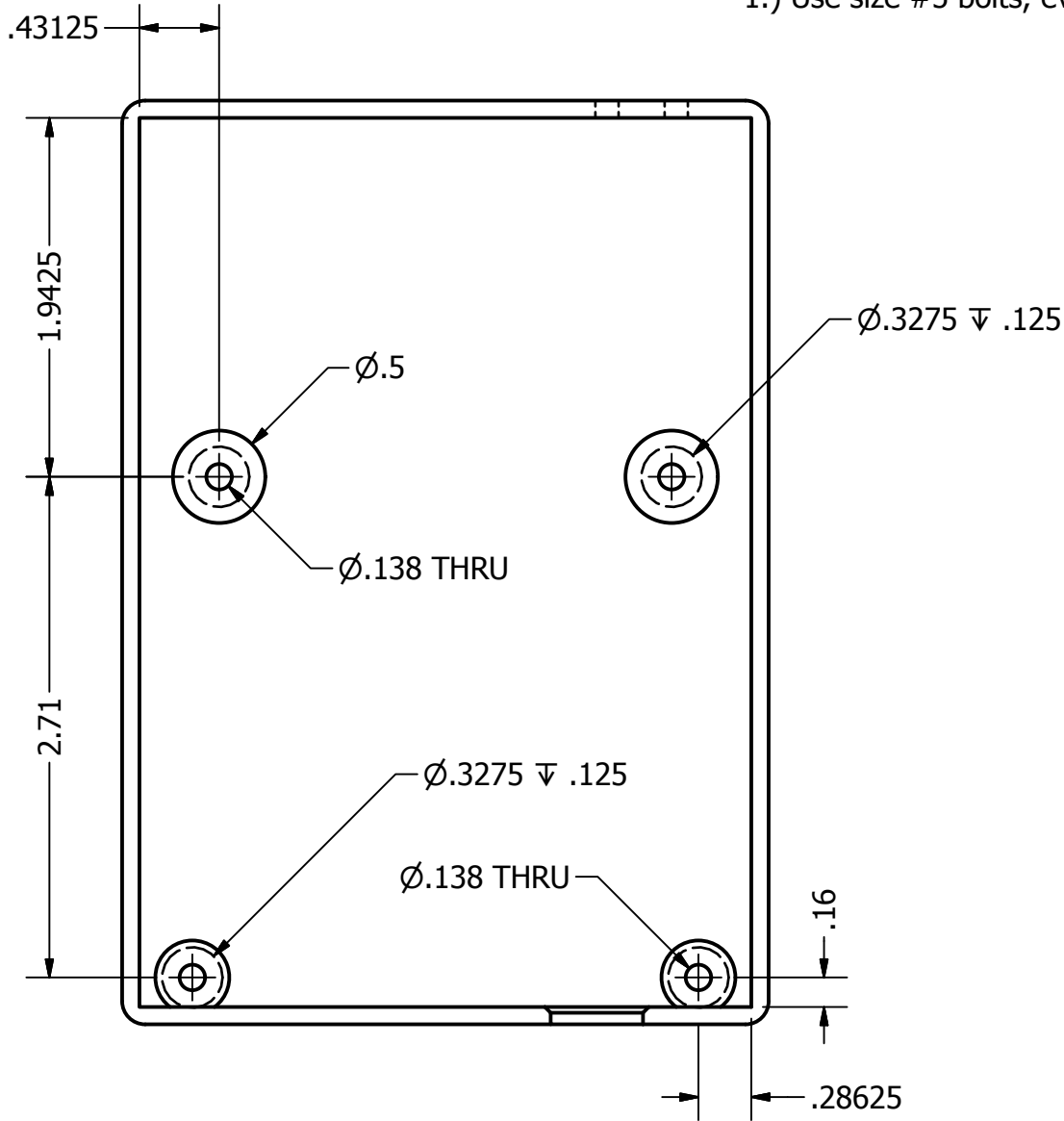
TITLE	CASE BOTTOM VIEW 1	HARTFORD UNION HIGH SCHOOL	SCALE	1:1/4	HOUR	5	POINTS EARNED
AUTHOR	Davis Rimmel	INTRODUCTION TO ENGINEERING DESIGN	DATE:	6/6/2009	SHEET	3 OF 6	

PRODUCED BY AN AUTODESK EDUCATIONAL PRODUCT

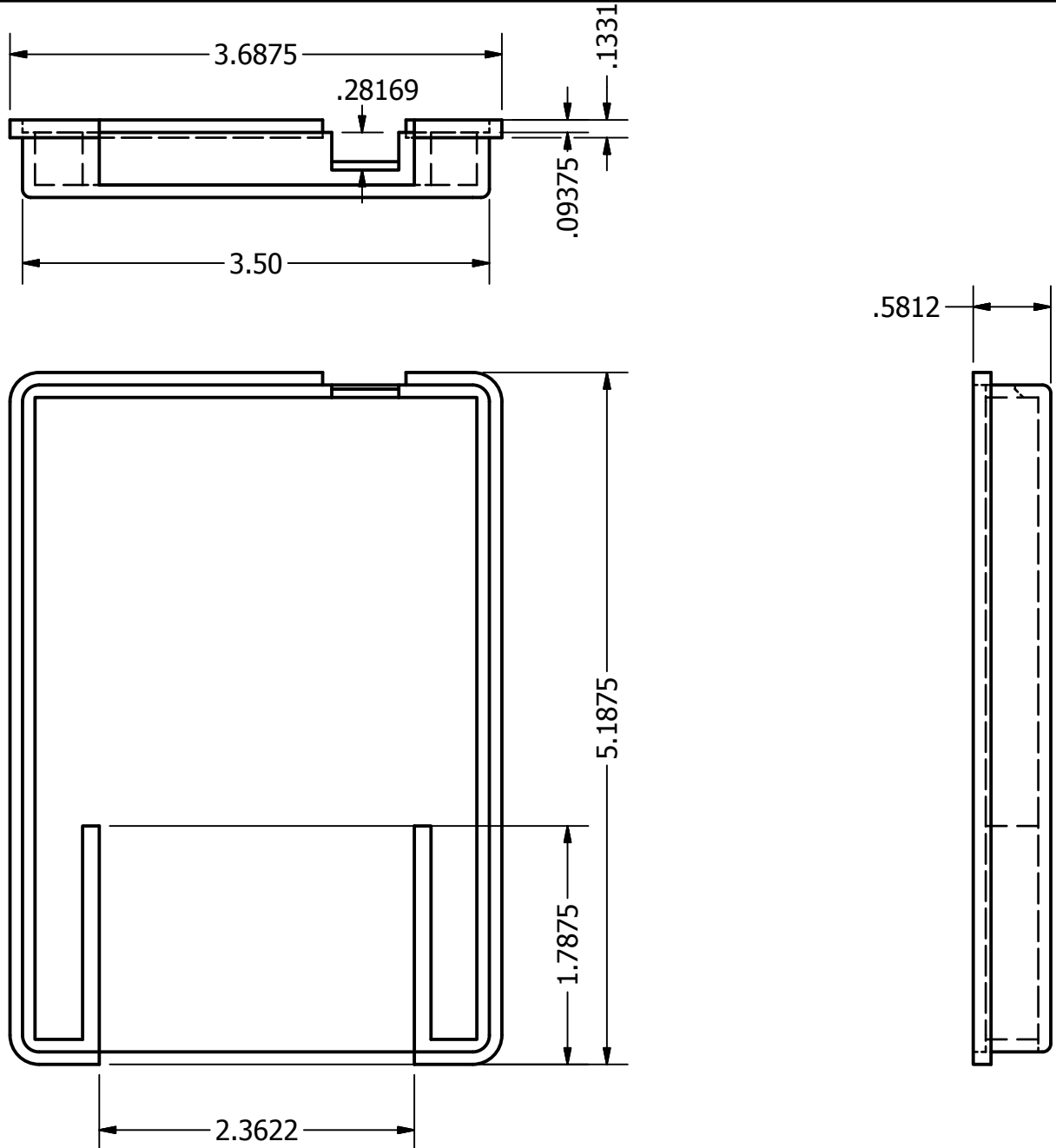
PRODUCED BY AN AUTODESK EDUCATIONAL PRODUCT

NOTES:

- 1.) Use size #5 bolts, even though the holes are made for #6 bolts.



TITLE	CASE BOTTOM VIEW 2	HARTFORD UNION HIGH SCHOOL	SCALE	1:1	HOUR	5	POINTS EARNED
AUTHOR	Davis Rimmel	INTRODUCTION TO ENGINEERING DESIGN	DATE:	6/6/2009	SHEET	4 OF 6	

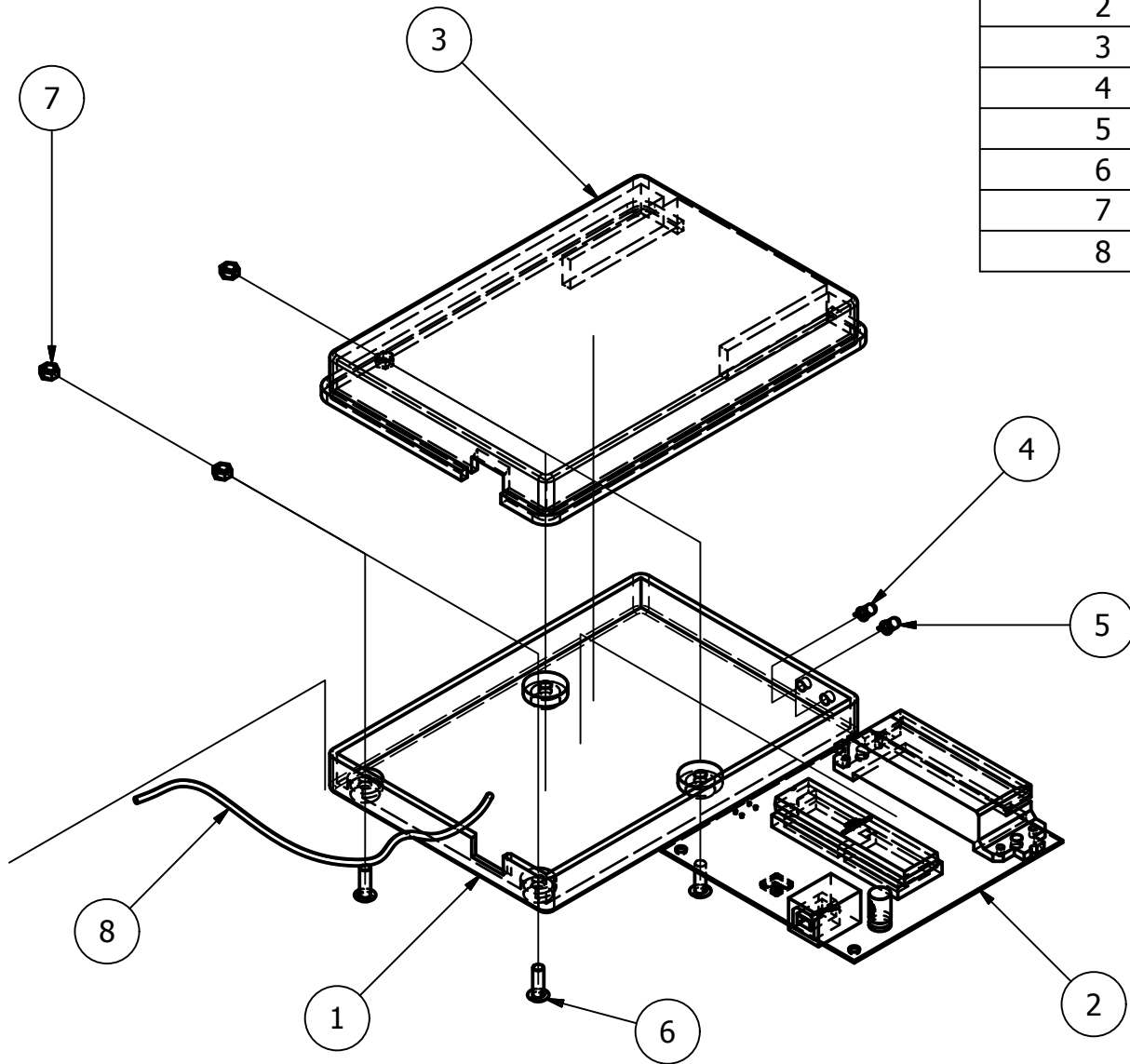


PRODUCED BY AN AUTODESK EDUCATIONAL PRODUCT

PRODUCED BY AN AUTODESK EDUCATIONAL PRODUCT

TITLE	CASE TOP	HARTFORD UNION HIGH SCHOOL	SCALE	1:1	HOUR	5	POINTS EARNED
AUTHOR	Davis Rimmel	INTRODUCTION TO ENGINEERING DESIGN	DATE:	6/6/2009	SHEET	5 OF 6	

Parts List		
ITEM	QTY	PART NUMBER
1	1	Bottom
2	1	Circuit Board
3	1	Top
4	1	LED Green
5	1	LED Red
6	4	Screw
7	4	Bolt
8	1	Full.Harness



PRODUCED BY AN AUTODESK EDUCATIONAL PRODUCT

PRODUCED BY AN AUTODESK EDUCATIONAL PRODUCT

TITLE	GAME BOY USB CARTRIDGE READER ASSEMBLY	HARTFORD UNION HIGH SCHOOL	SCALE	1:2	HOUR	5
AUTHOR	Davis Rimmel	INTRODUCTION TO ENGINEERING DESIGN	DATE:	6/6/2009	SHEET	6 OF 6
						POINTS EARNED